

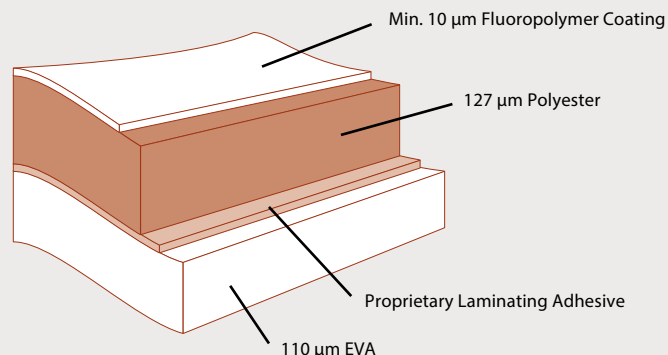
HyTek[®] Prime Datasheet

Tomark-Worthen's 2ND Generation of Protekt[®] HD Backsheets

MATERIAL COMPOSITION

TEST:	RESULTS:
Thickness*	252 μm
Width Range	51- 1700 mm
Weight	320 g/m ²
Density	1.16 g/cm ³
Coating Color (air side)	White
EVA Color Options (cell side)	All

FLUOROPOLYMER COATING / PET / EVA



TECHNICAL CHARACTERISTICS

TEST:	TEST SPECIFICATION(S):	RESULTS:
Tensile Strength at Break (MD)	Internal Testing - Data Available	90 MPa (MD) / 110 MPa (TD)
Elongation at Break (MD)	Internal Testing - Data Available	130% (MD) / 100% (TD)
Dimensional Stability	150°C for 30 min; Internal Testing - Data Available	≤ 1%
EVA Peel Strength from Encapsulant	Internal Testing - Data Available	≥ 40 N/cm
Peel Strength of Layers	PET / EVA	≥ 5 N/cm
Relative Thermal Index (RTI)	Suitable for continuous use at 105°C	125°C

WEATHERABILITY TESTING PERFORMANCE

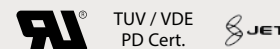
TEST:	TEST SPECIFICATION(S):	RESULTS:
Damp Heat Testing	85°C, 85% RH; IEC 61215	≥ 1000 Hours
Heat Freeze Humidity	UL 1703, >10 cycles	>70% of initial mechanical properties retained
UV Stability	UL 746C	≥ 2000 Hours
MVTR	ASTM F1249	≤ 2.5 g/m ² per day

ELECTRICAL INSULATION TESTING PERFORMANCE

TEST:	TEST SPECIFICATION(S):	RESULTS:
Partial Discharge	IEC-60664, IEC-61730	≥ 1000 VDC

*Theoretical nominal

This product is covered by one or more U.S. patents and pending U.S. and other patent applications.
Typical Data - Not Specification



Tomark-Worthen
64 Watkin Ave
Chadds Ford, PA 19317
USA

Phone: 1-610-978-1889
Email: info@tomark-worthen.com
www.tomark-worthen.com

TOMARK  **WORTHEN**