

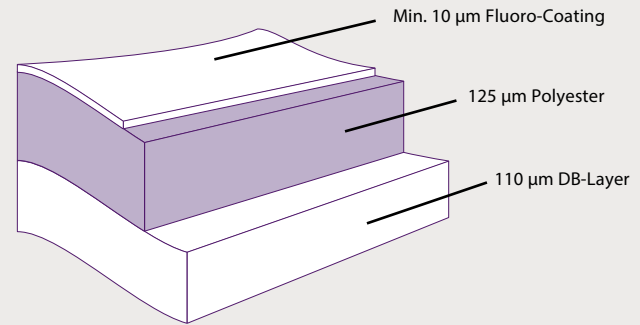
Reflekt® Prime

Datasheet

Highly Reflective Backsheets based on Extrusion Technology

MATERIAL COMPOSITION

| TEST: | RESULTS: |
|------------------------|------------------------|
| Thickness* | 245 µm |
| Width Range | 25-1830 mm |
| Weight | 315 g/m ² |
| Density | 1.15 g/cm ³ |
| Coating Color Options | White |
| DB-Layer Color Options | White |



FLUORO-COA TING / P ET / DB LAYER

TECHNICAL CHARACTERISTICS

| TEST: | TEST SPEC IFI CATION(S): | RESULTS: |
|---|--|--------------|
| Tensile Strength at Break (MD) | Internal Testing -Data Available | 100 MPa (MD) |
| Elongation at Break (MD) | Internal Testing -Data Available | 135% (MD) |
| Dimensional Stability | 150°C for 30 min; Internal Testing -Data Available | ≤ 1.7% |
| DB-Layer Peel Strength from Encapsulant | Internal Testing -Data Available | ≥ 40 N/cm |
| Peel Strength of Layers | PET/DB-Layer | ≥ 5 N/cm |
| Reflectance Range | Internal Testing -Data Available | >90% |

WEATHERABILITY TESTING PERFORMANCE

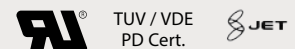
| TEST: | TEST SPEC IFI CATION(S): | RESULTS: |
|------------------------------|--|--|
| Relative Thermal Index (RTI) | Suitable for use at continuous 110°C | 130°C |
| Damp Heat Testing | 85°C, 85% RH IEC 61215 | 3000 Hours |
| Heat Freeze Humidity | In accordance with UL 1703, >10 cycles | >70% of initial mechanical properties retained |
| UV Stability | In accordance with UL 746C | >70% of initial mechanical properties retained |
| MVTR | In accordance with ASTM F1249 | ≤ 2.5 g/m ² per day |

ELECTRICAL INSULATION TESTING PERFORMANCE

| TEST: | TEST SPEC IFI CATION(S): | RESULTS: |
|---------------------|--------------------------|------------|
| Partial Discharge | IEC 60664-1 | > 1000 VDC |
| Dielectric Strength | UL 746 A | 18 kV |

*Theoretical nominal

This product is covered by one or more U.S. patents and pending U.S. and other patent applications.
Typical Data -Not Specification



Tomark-Worthen
64 Watkin Ave
Chadds Ford
USA

Phone: 1-610-978-1889
Email: info@tomark-worthen.com
www.tomark-worthen.com

TOMARK  **WORTHEN**