

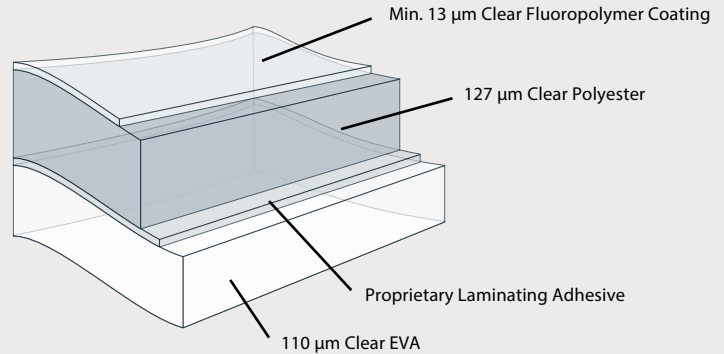
VueTek® Datasheet

Tomark-Worthen's Transparent Backsheets for Bifacial Modules and BIPV

MATERIAL COMPOSITION

TEST:	
Thickness*	255 µm
Width Range	51 - 1700 mm
Weight	310 g/m ²
Density	1.18 g/cm ³
Coating Color (air side)	Clear
EVA Color Options (cell side)	Clear

FLUOROPOLYMER COATING/PET/EVA



TECHNICAL CHARACTERISTICS

TEST:	TEST SPECIFICATION(S):	RESULTS:
Tensile Strength at Break (MD)	Internal Testing -Data Available	100 MPa (MD) / 113 MPa (TD)
Elongation at Break (MD)	Internal Testing -Data Available	140% (MD) / 130% (TD)
Dimensional Stability	150°C for 30 min; Internal Testing -Data Available	≤ 1%
EVA Peel Strength from Encapsulant	Internal Testing -Data Available	≥ 40 N/cm
Peel Strength of Layers	PET / EVA	≥ 5 N/cm
Relative Thermal Index (RTI)	Suitable for continuous use at 85°C	105 °C

WEATHERABILITY TESTING PERFORMANCE

TEST:	TEST SPECIFICATION(S):	RESULTS:
Damp Heat Testing	85°C, 85% RH; IEC 61215	≥ 1000 Hours
Heat Freeze Humidity	UL 1703; >10 cycles	>70% of initial mechanical properties retained
UV Stability	UL 746C	≥ 2000 Hours
MVTR	ASTM F1249	≤ 2.5 g/m ² per day

ELECTRICAL INSULATION TESTING PERFORMANCE

TEST:	TEST SPECIFICATION(S):	RESULTS:
Partial Discharge	IEC-60664, IEC-61730	≥ 1000 VDC
Dielectric Strength	ASTM D149	≥ 18 kV
Comparative Tracking Index (CTI)	IEC 60112	600 Volts

FLAME RESISTANCE TESTING PERFORMANCE

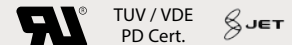
TEST:	TEST SPECIFICATION(S):	RESULTS:
Flame Spread Index	ASTM E162	85
High-current Arc Ignition (HAI)	UL746A	PLC 1

OPTICAL CLARITY TESTING PERFORMANCE

TEST:	TEST SPECIFICATION(S):	RESULTS:
Visible Light Transmission (VLT)	400 nm-1200 nm; BYK Gardner HazeGuard plus	≥ 90%
Haze	BYK Gardner HazeGuard plus	7% - 12%

*Theoretical nominal

This product is covered by one or more U.S. patents and pending U.S. and other patent applications.
Typical Data -Not Specification



Tomark-Worthen
64 Watkin Ave
Chadds Ford, PA 19317
USA

Phone: 1-610-978-1889
Email: info@tomark-worthen.com
www.tomark-worthen.com

TOMARK  **WORTHEN**