

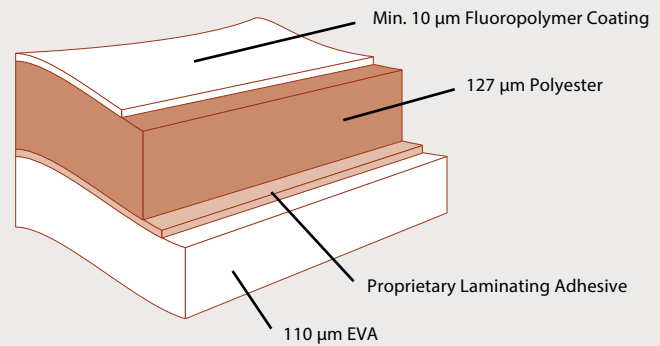
# HyTek<sup>®</sup> Datasheet

Highly Reflective Backsheets based on Extrusion Technology

## MATERIAL COMPOSITION

TEST:	RESULTS:
Thickness*	252 µm
Width Range	51 - 1700 mm
Weight	320 g/m <sup>2</sup>
Density	1.16 g/cm <sup>3</sup>
Coating Color (air side)	White
EVA Color Options (cell side)	All

FLUOROPOLYMER COATING / PET / EVA



## TECHNICAL CHARACTERISTICS

TEST:	TEST SPECIFICATION(S):	RESULTS:
Tensile Strength at Break (MD)	Internal Testing -Data Available	100 MPa (MD) / 110 MPa (TD)
Elongation at Break (MD)	Internal Testing -Data Available	135% (MD) / 119% (TD)
Dimensional Stability	150C for 30 min; Internal Testing -Data Available	≤ 1%
EVA Peel Strength from Encapsulant	Internal Testing -Data Available	≥ 40 N/cm
Peel Strength of Layers	PET / EVA	≥ 5 N/cm
Relative Thermal Index (RTI)	Suitable for continuous use at 85 °C	105 °C

## WEATHERABILITY TESTING PERFORMANCE

TEST:	TEST SPECIFICATION(S):	RESULTS:
Damp Heat Testing	85°C, 85% RH; IEC 61215	≥ 1000 Hours
Heat Freeze Humidity	UL 1703, >10 cycles	>70% of initial mechanical properties retained
UV Stability	UL 746C	≥ 2000 Hours
MVTR	ASTM F1249	≤ 2.5 g/m <sup>2</sup> per day

## ELECTRICAL INSULATION TESTING PERFORMANCE

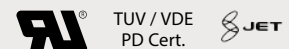
TEST:	TEST SPECIFICATION(S):	RESULTS:
Partial Discharge	IEC-60664, IEC-61730	≥ 1000 VDC
Dielectric Strength	ASTM D149	≥ 20 kV
Comparative Tracking Index (CTI)	IEC 60112	600 Volts

## FLAME RESISTANCE TESTING PERFORMANCE

TEST:	TEST SPECIFICATION(S):	RESULTS:
Flame Spread Index	ASTM E162	38
High-current Arc Ignition (HAI)	UL746A	PLC1

\*Theoretical nominal

This product is covered by one or more U.S. patents and pending U.S. and other patent applications.  
Typical Data - Not Specification



Tomark-Worthen LLC  
64 Watkin Ave  
Chadds Ford, PA 19317  
USA

Phone: 1-610-978-1889  
Email: info@tomark-worthen.com  
www.tomark-worthen.com

**TOMARK**  **WORTHEN**