

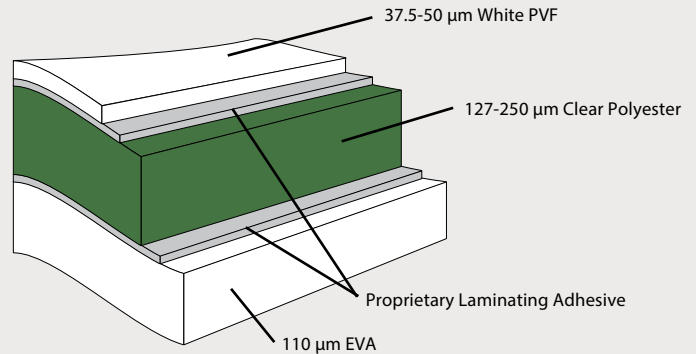
TPE HD Datasheet

PVF Backsheets with Dielectric Bond Technology

MATERIAL COMPOSITION

TEST:	
Thickness*	275-410 μm
Width Range	51 - 1700 mm
Weight	318-475 g/m^2
Density	1.20 g/cm^3
PVF Color (air side)	White
EVA Color Options (cell side)	All Colors

PVF / PET / EVA



TECHNICAL CHARACTERISTICS (285 μm)

TEST:	TEST SPECIFICATION(S):	RESULTS:
Tensile Strength at Break (MD/TD)	Internal Testing -Data Available	92 MPa (MD) / 108 MPa (TD)
Elongation at Break (MD/TD)	Internal Testing -Data Available	144% (MD) / 110% (TD)
Dimensional Stability	150°C for 30 min; Internal Testing -Data Available	$\leq 1\%$
EVA Peel Strength from Encapsulant	Internal Testing -Data Available	$\geq 70 \text{ N}/\text{cm}$
Peel Strength of Layers	PET / EVA	$\geq 5 \text{ N}/\text{cm}$
Relative Thermal Index (RTI)	Suitable for continuous use at 85°C	105 °C

WEATHERABILITY TESTING PERFORMANCE

TEST:	TEST SPECIFICATION(S):	RESULTS:
Damp Heat Testing	85°C, 85% RH; IEC 61215	≥ 1000 Hours
Heat Freeze Humidity	UL 1703; >10 cycles	>70% of initial mechanical properties retained
UV Stability	UL 746C; 2500 hours	≥ 2000 Hours
MVTR	ASTM F1249	$\leq 4 \text{ g}/\text{m}^2 / \text{day}$

ELECTRICAL INSULATION TESTING PERFORMANCE

TEST:	TEST SPECIFICATION(S):	RESULTS:
Partial Discharge	IEC-60664, IEC-61730	≥ 1000 VDC

FLAME RESISTANCE TESTING PERFORMANCE

TEST:	TEST SPECIFICATION(S):	RESULTS:
Flame Spread Index	ASTM E162	59

*Theoretical nominal

This product is covered by one or more U.S. patents and pending U.S. and other patent applications.
Typical Data -Not Specification



Tomark-Worthen
64 Watkin Ave
Chadds Ford, PA 19317
USA

Phone: 1-610-978-1889
Email: info@tomark-worthen.com
www.tomark-worthen.com

TOMARK  **WORTHEN**